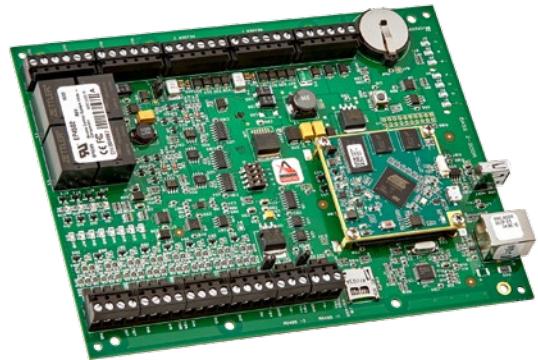


# Mercury Security EP4502 Intelligent Controller

IP-ready controller managing  
up to 64 readers



## Seamlessly integrated with the Genetec Synergis IP Access Control Solution

The Synergis™ system supports Mercury Security's open field hardware enabling organizations to deploy industry-standard access control modules and protect their investments for years to come. The EP4502 Intelligent Controller is IP-ready for controlling 2 connected doors and managing up to 64 downstream readers. Supporting a range of wired and wireless reader technology, the EP4502 connects to the Synergis Cloud Link appliance over IP. Supported RS-485 downstream panels include the Mercury Security MR16IN, MR16OUT MR50 and MR52 as well as the MR51e supported over IP.

### Synergis Cloud Link

Synergis Cloud Link is an intelligent and PoE-enabled gateway appliance that supports a mix of non-proprietary access control modules like the Mercury Security EP1501 Intelligent Controller. Modernize your access control environment by deploying Synergis Cloud Link over your network and establish real-time connectivity to your doors.



## Overview

Connects to and reports real-time activity to the Synergis Cloud Link appliance over any IP network

Handles access control decisions and monitors activity when disconnected from the Synergis system

Supports up to 250,000 cardholders

Manages a maximum of 64 downstream device combinations over RS-485 including:

- Mercury MR52 interface module
- Mercury MR50 interface module
- Mercury MR16IN input monitor interface
- Mercury MR16OUT output control interface
- Mercury MR51e Interface Module (connected over IP)

When disconnected from Synergis, the EP4502 buffers up to 50,000 offline events and reports them once connectivity is reestablished

Additional capabilities include elevator control, hard antipassback, and offline input/output (IO) linking

UL 294 recognized components

OSDPv2 supported

## Available Interfaces

**Readers:** 2 reader ports: Mag, Wiegand or RS-485

**Inputs:** 8 general purpose: programmable circuit type

**Outputs:** 4 relays: Form C, 5A 30 Vdc

Choose the Synergis IP access control solution to protect your people and assets with your choice of widely-deployed, non-proprietary, and secure access control hardware.



◀ Mercury Security EP4502 Intelligent Controller

**Specifications Table**

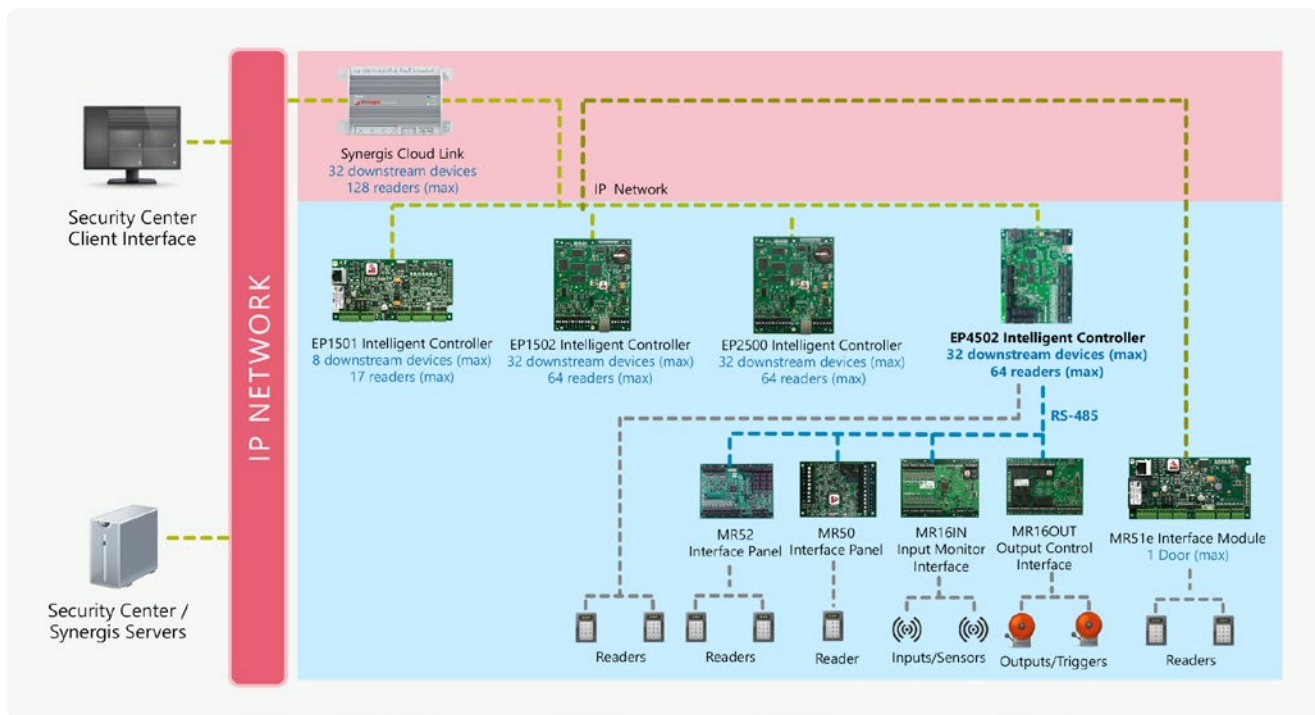
Dimensions	6.0 in × 8.0 in × 1.0 in (152 mm × 203 mm × 25 mm)
Operating Temperature	0-70°C operational, -55-85°C storage
Communications Ports	10/100 Ethernet

Certifications	UL 294 Recognized, CE Compliant, ROHS, FCC Part 15 Class A, NIST Certified Encryption, EN-60839-11-1
----------------	--

Warranty	24-month warranty. Please refer to Genetec Sales Policy for more information
----------	--

**Architecture ▼**

Connected to the Synergis Cloud Link appliance over IP, the multi-port EP4502 is an IP ready intelligent controller for managing up to 64 readers. 1 reader port can be used for an additional 2 readers (1 door) representing access control for up to 64 doors



**Genetec Inc.**

2280 Alfred-Nobel Blvd., Suite 400,  
Montreal, QC, Canada H4S 2A4

T 514.332.4000

genetec.com  
info@genetec.com

© Genetec Inc., 2017. Genetec, Synergis, the Genetec Logo, and the Synergis Logo are trademarks of Genetec Inc., and may be registered or pending registration in several jurisdictions. Other trademarks used in this document may be trademarks of the manufacturers or vendors of the respective products.