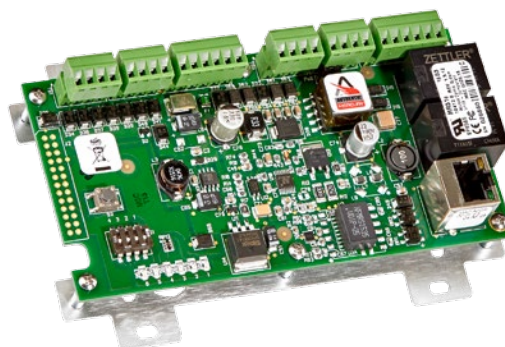


# Mercury Security MR51e Interface Module

PoE-enabled reader module for up to 1 door



## Seamlessly integrated with the Genetec Synergis IP Access Control Solution

The Synergis™ system supports Mercury Security's open field hardware enabling organizations to deploy industry-standard access control modules and protect their investments for years to come. The MR51e dual-reader interface module connects up to two access control readers, controlling one door. Supporting a range of wired and wireless reader technology, the MR51e is managed by a Mercury Security EP1501, EP1502, EP2500 and EP4502 controller and ultimately, the Synergis Cloud Link appliance over IP.

### Synergis Cloud Link

The Synergis Cloud Link appliance is an intelligent and PoE-enabled micro-server that supports a mix of non-proprietary access control modules like the Mercury Security MR51e Interface Module. Modernize your access control environment by deploying Synergis Cloud Link over your network and establish real-time connectivity to your doors.

## Overview

Connects to the Synergis Cloud Link appliance and Mercury Security controllers over IP.

Reports all activity in real-time to Synergis Cloud Link and Mercury Security controllers

Controls up to 2 readers for 1 door

Reports Supervised Inputs

Outputs can be configured as general purpose outputs

UL 294 recognized components

OSDPv2 supported

## Available Interfaces

**Readers:** Up to 2 reader ports

**Inputs:** 4 supervised, End of Line resistors

**Outputs:** Form-C contacts: K1, K2: 5A @ 30Vdc

Choose the Synergis IP access control solution to protect your people and assets with your choice of widely-deployed, non-proprietary, and secure access control hardware.



◀ Mercury Security MR51e Interface Module

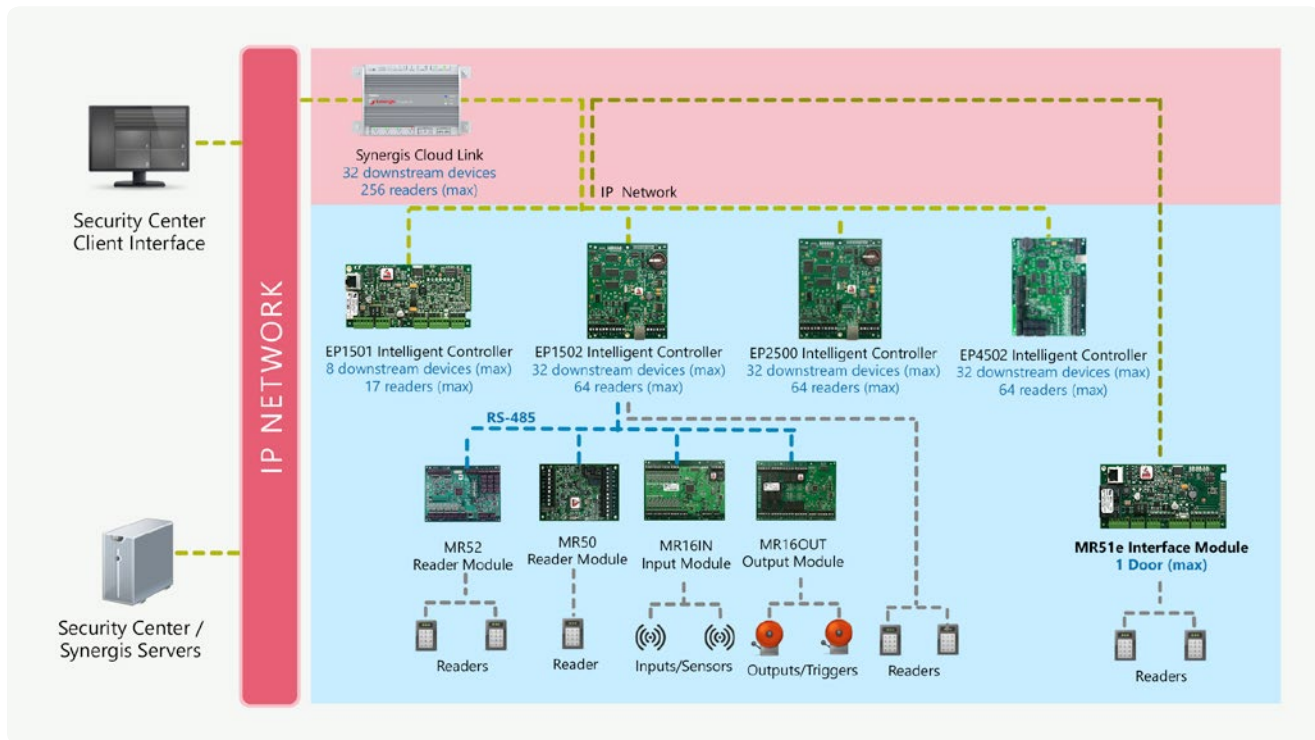
**Specifications Table**

Dimensions	5.5 in × 2.75 in (140 mm × 70 mm)
Operating Temperature	-55°C to +85°C for storage, 0°C to +70°C while operating
Communications Ports	Ethernet, 10Base-T/100Base-TX

Certifications	UL 294 and UL 294B Recognized, CE Compliant, ROHS, FCC Part 15 Class A, NIST Certified Encryption, EN-60839-11-1
Warranty	24-month warranty. Please refer to Genetec Sales Policy for more information

**Architecture ▼**

Connected to any Mercury Intelligent Controller and ultimately the Synergis Cloud Link appliance over IP, the Mercury MR51e Dual-Reader Module processes real-time commands and reports all activities upstream, providing an ideal integration solution when a network connection to the access point is desired.



**Genetec Inc.**

2280 Alfred-Nobel Blvd., Suite 400,  
Montreal, QC, Canada H4S 2A4

T 514.332.4000

genetec.com  
info@genetec.com

© Genetec Inc., 2017. Genetec, Synergis, the Genetec Logo, and the Synergis Logo are trademarks of Genetec Inc., and may be registered or pending registration in several jurisdictions. Other trademarks used in this document may be trademarks of the manufacturers or vendors of the respective products.